



JLG E450 SERIES

- Choice of models with up to a working height of 15 m
- Articulating Jib feature available for improved positioning
- On-board generator for quick charging of batteries
- Multiple function operation gets you to the job quicker
- Proportional controls achieve smoother movement for operator comfort
- Automatic Traction Control (ATC) for improved manoeuvrability on off-slab areas

For more details check the JLG Technical Specification Guide or ask your local JLG representative.



Performance Advantages

Provides greater productivity for the operator with the fastest boom speeds in its class.



Automatic Traction Control (ATC) for higher performance

Advanced control system ensures improved traction on uneven surfaces or over floor obstacles.



Articulating Jib*

Allows for greater versatility when positioning the platform around obstacles.

* Models E450AJ and M450AJ only



Multi-Power System

M450A and M450AJ models feature an engine-powered generator that automatically recharges the batteries to help reduce downtime.



Easy to follow layout of controls

Console designed for ease of operation and rapid positioning control.



Operator's Tool Tray

Provides a handy storage area for tools, fasteners and other work materials.

JLGEUROPE

JLG Industries (Europe), A Division of JLG Industries, Inc.
Kilmartin Place, Tannochside Park,
Uddingston, G71 5PH, Scotland.
Tel: 01698 811005
Fax: 01698 811055

www.jlg.com



ELECTRIC ARTICULATING BOOM LIFTS

	E450A	M450A	E450AJ	M450AJ
Platform Height	13.72 m	13.72 m	13.72 m	13.72 m
Horizontal Outreach	7.04 m	7.04 m	7.24 m	7.24 m
Up and Over Height	7.49 m	7.49 m	7.70 m	7.70 m
Swing (non-continuous)	360°	360°	360°	360°
Platform Capacity – Unrestricted	230 kg	230 kg	230 kg	230 kg
Platform Rotator (Hydraulic)	180°	180°	180°	180°
Jib – Overall Length	—	—	1.24 m	1.24 m
Jib - Range of articulation	—	—	141° (+86°/ -55°)	141° (+86°/ -55°)
A. Platform Size	0.76 m x 1.52 m	0.76 m x 1.52 m	0.76 m x 1.52 m	0.76 m x 1.52 m
B. Overall Width	1.75 m	1.75 m	1.75 m	1.75 m
C. Tailswing (working condition)	Zero	Zero	Zero	Zero
D. Stowed Height	1.98 m	1.98 m	2.01 m	2.01 m
E. Stowed Length	5.82 m	5.82 m	6.45 m	6.45 m
F. Wheelbase	2.01 m	2.01 m	2.01 m	2.01 m
G. Ground Clearance	0.22 m	0.22 m	0.22 m	0.22 m
Gross Vehicle Weight ¹	5,940 kg	5,970 kg	6,670 kg	6,700 kg
Drive Speed	5.2 km/h	5.2 km/h	5.2 km/h	5.2 km/h
Gradeability	30%	30%	30%	30%
Tyres	240/55-17.5 Pneumatic	240/55-17.5 Pneumatic	240/55-17.5 Foam Filled	240/55-17.5 Foam Filled
Turning Radius – Inside	0.61 m	0.61 m	0.61 m	0.61 m
Turning Radius – Outside	3.15 m	3.15 m	3.15 m	3.15 m
Electrical System	48V DC	48V DC	48V DC	48V DC
Batteries	8 x 6V 370 A/hr	8 x 6V 370 A/hr	8 x 6V 370 A/hr	8 x 6V 370 A/hr
Drive Motors	Dual Electric Traction	Dual Electric Traction	Dual Electric Traction	Dual Electric Traction
Brakes	Automatic Spring Applied	Automatic Spring Applied	Automatic Spring Applied	Automatic Spring Applied
Hydraulic Motor	Perm. Magnet	Perm. Magnet	Perm. Magnet	Perm. Magnet
Hydraulic Pump	Gear Pump	Gear Pump	Gear Pump	Gear Pump
Hydraulic Reservoir	15 L	15 L	15 L	15 L
Generator Set - Fully Automatic	—	Yanmar Air-cooled 4 kW	—	Yanmar Air-cooled 4 kW
Generator Fuel Tank	—	15 L	—	15 L

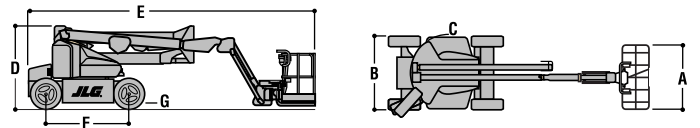
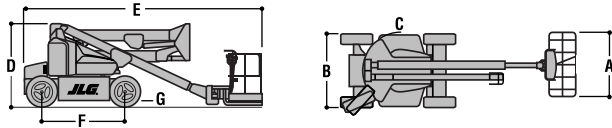
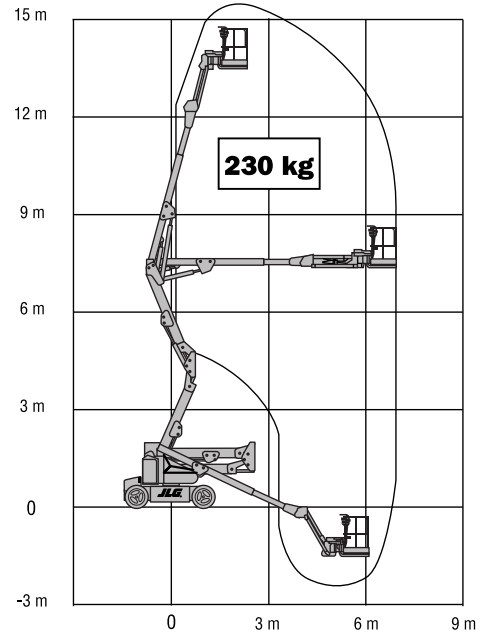
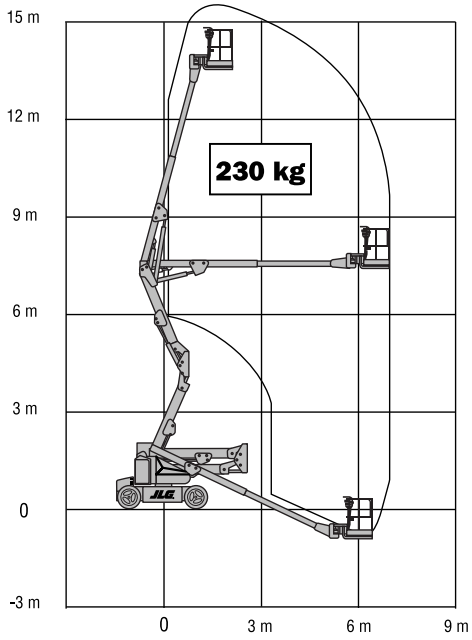
¹ Certain options or country standards will increase weight.

Specifications may change to meet country standards or with the addition of optional equipment.

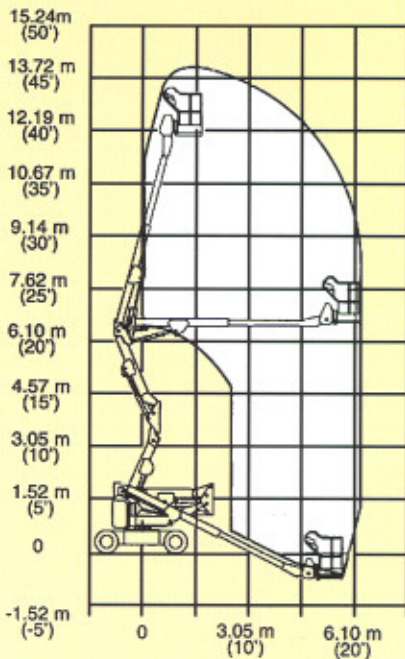


JLG MODELS E450A & M450A

JLG MODELS E450AJ & M450AJ



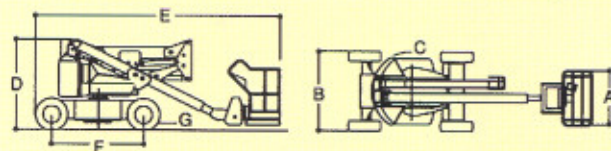
40 & n40 electric



REACH DIAGRAM

REACH SPECIFICATIONS

Platform Height	12.19 m (40 ft.)
Horizontal Outreach	6.25 m (20 ft. 6 in.)
Up and Over Clearance	6.1 m (20 ft.)
Turntable Rotation	360° (non continuous)
Platform Capacity	227 kg (500 lbs.)
Platform Rotator	.110° Hydraulic



DIMENSIONAL DATA

A. Platform Size	.0.66 m x 1.22 m (26 in. x 48 in.)
B. Overall Width Model 40	1.75 m (5 ft. 9 in.)
Overall Width Model n40	1.5 m (4 ft. 11 in.)
C. Tailswing (working condition) Model 40	Zero
Tailswing (working condition) Model n40	.0.13 m (5 in.)
D. Stowed Height	2.0 m (6 ft. 7 in.)
E. Stowed Length Model 40	5.36 m (17 ft. 7 in.)
Stowed Length Model n40	5.28 m (17 ft. 4 in.)
F. Wheelbase	2.0 m (6 ft. 7 in.)
G. Ground Clearance Model 40	0.15 m (6 in.)
Ground Clearance Model n40	0.10 m (4 in.)
Gross Vehicle Weight Model 40*	5,100 kg (11,235 lbs.)
Gross Vehicle Weight Model n40*	5,366 kg (11,830 lbs.)

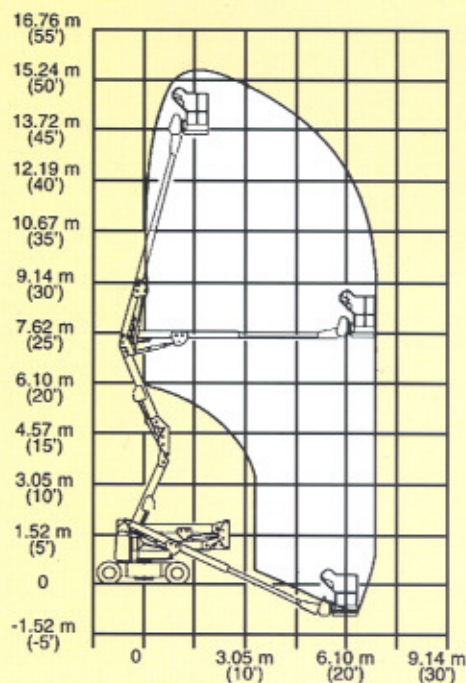
CHASSIS

Drive Speed Model 40	4.8 kph (3.0 mph)
Drive Speed Model n40	4.0 kph (2.5 mph)
Gradeability	.25%
Tyres Model 40	foam filled G78 - 15
Tyres Model n40	solid rubber 22 x 6 x 16
Axle Oscillation	0.03 m (1 in.)
Turning Radius (outside) Model 40	4.17 m (13 ft. 8 in.)
Turning Radius (inside) Model 40	1.31 m (4 ft. 3 in.)
Turning Radius (outside) Model n40	3.61 m (11 ft. 10 in.)
Turning Radius (inside) Model n40	1.60 m (5 ft. 3 in.)

POWER SYSTEM

Electrical System	.48V DC
Batteries	.eight 6V 370 amp-hr
Drive Motors	.two series wound fan cooled electric traction motors
Brakes	.spring applied electrically released multiple discs
Hydraulic Motor/Pump	.perm. magnet motor/single sect. gear pump
Hydraulic Reservoir	.15.1 L
Manual Lowering	.lever actuated hand pump

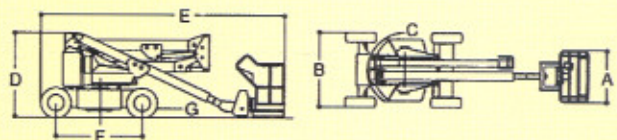
45 electric



REACH DIAGRAM

REACH SPECIFICATIONS

Platform Height	13.72 m (45 ft.)
Horizontal Outreach	6.91 m (22 ft. 8 in.)
Up and Over Clearance	7.49 m (24 ft. 7 in.)
Turntable Rotation	360° (non continuous)
Platform Capacity	227 kg (500 lbs.)
Platform Rotator	.110° Hydraulic



DIMENSIONAL DATA

A. Platform Size	.0.66 m x 1.22 m (26 in. x 48 in.)
B. Overall Width	1.75 m (5 ft. 9 in.)
C. Tailswing (working condition)	Zero
D. Stowed Height	2.0 m (6 ft. 7 in.)
E. Stowed Length	5.69 m (18 ft. 8 in.)
F. Wheelbase	2.0 m (6 ft. 7 in.)
G. Ground Clearance	0.15 m (6 in.)
Gross Vehicle Weight*	5,950 kg (13,105 lbs.)

CHASSIS

Drive Speed	4.3 kph (2.6 mph)
Gradeability	.25%
Tyres	foam filled 215/85R16
Axle Oscillation	0.03 m (1 in.)
Turning Radius (outside)	4.17 m (13 ft. 8 in.)
Turning Radius (inside)	1.31 m (4 ft. 3 in.)

POWER SYSTEM

Electrical System	.48V DC
Batteries	.eight 6V 370 amp-hr
Drive Motors	.two series wound fan cooled electric traction motors
Brakes	.spring applied electrically released multiple discs
Hydraulic Motor/Pump	.perm. magnet motor/single sect. gear pump
Hydraulic Reservoir	.15.1 L
Manual Lowering	.lever actuated hand pump

* Gross vehicle weights may vary dependent on regional requirements.
Specification may change to meet country standards or with the addition of optional equipment